



# Aurora

Cantilever Umbrella



**3** YEAR  
FRAME  
WARRANTY

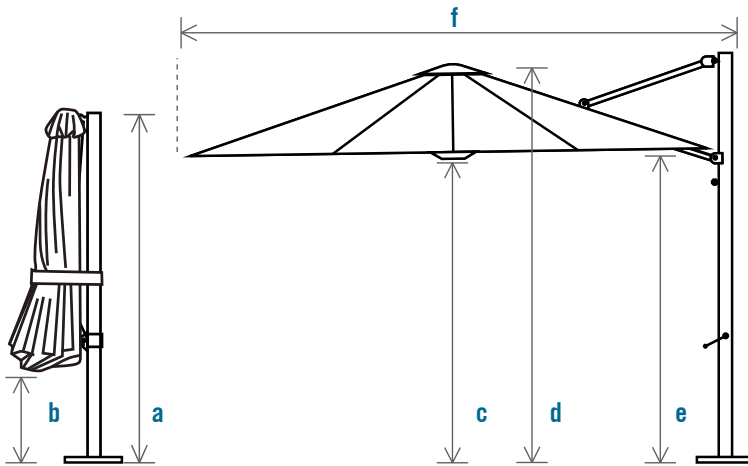


**2** YEAR  
FADE  
WARRANTY



**50** WIND  
RATING  
KM / H





### Dimensions

\*all measurements are rounded and are subject to change.



3.5m oct



2.8m sq

### Dimensions of closed umbrella

a: Mast height (cm)	282	282
b: Distance from arms to ground (cm)	100	76
Weight of umbrella when folded (kg)	27	27

### Dimensions of open umbrella

c: Height to canopy hub (cm)	200	210
d: Total height to top of canopy (cm)	264	274
e: Height to edge of canopy (cm)	210	215
f: Distance from back edge of mast to front edge of canopy (cm)	360	310
Width of canopy (cm)	350	280

### Packaging dimensions

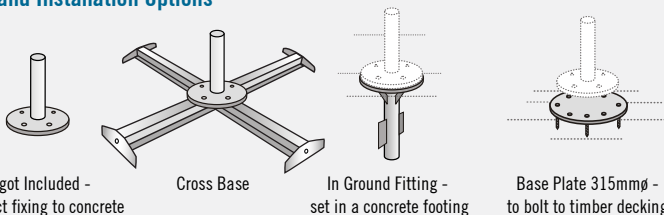
Dimensions of cardboard packaging (cm)	27x47x290	27x47x290
Weight of umbrella when packaged in carton with spigot (kg)	39	39

### Wind guidance\*

Installed wind rating (km/h)	50	50
Freestanding base rating (km/h)	30	30

\*The above wind speeds are provided as a guide only. Refer to our website and Product Owner Manual provided with the umbrella for more information. The product warranty does not cover wind damage regardless of wind speed.

### Base and Installation Options



Spigot Included - for direct fixing to concrete

Cross Base

In Ground Fitting - set in a concrete footing

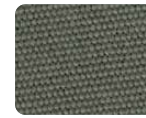
Base Plate 315mm - to bolt to timber decking.

### Standard Colours

Canopies are made of water repellent and UV-resistant 100% Solution Dyed Olefin Canvas (2 year warranty against fading).



Smoked Tweed



Slate



Natural

Premium 100% Solution Dyed Acrylic Canvas (10 year warranty against fading) available to order, surcharge applies.

\*Fabric colours may vary slightly from printed swatches shown above.

### Frames

Frames are made of Marine Grade Anodised Aluminium with a 3 year warranty against mechanical defects.



EXTRUDED ALUMINIUM MAST



INFINITY TILT SYSTEM



EASY-GLIDE ACTION SLIDER CAR



LIGHTWEIGHT & ELEGANT MAST PROFILE